

SB156SX

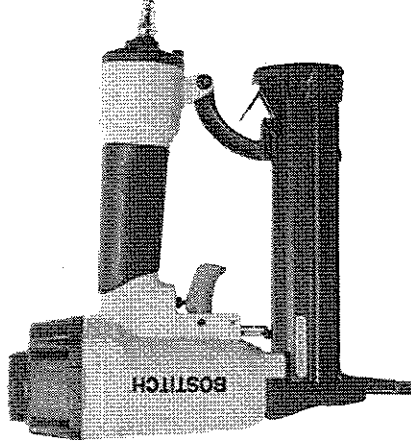
FINISH TOOL
HERRAMIENTAS DE ACABADO
OUTILS DE FINITION

ACCESSORIES AVAILABLE

- BC602 1 Pint, Bostitch Air-Tool Lubricant
- BC603 1 Pint, Bostitch "Winter-Formula" Tool Lubricant
- BC604 1 Quart, Bostitch Air-Tool Lubricant

BOSTITCH®

SB156SX
FINISH TOOL
HERRAMIENTAS DE ACABADO
OUTILS DE FINITION



TOOL PARTS ILLUSTRATION ILUSTRACIÓN DE LAS PIEZAS DE LA HERRAMIENTA ILLUSTRATION DES PIÈCES D'OUTILLAGE

⚠ WARNING:

BEFORE PERFORMING REPAIRS ON THIS TOOL, ALL OPERATORS SHOULD STUDY THIS ILLUSTRATION, AS WELL AS THE PARTS LIST AND OPERATION AND MAINTENANCE MANUAL. OPERATORS SHOULD UNDERSTAND AND FOLLOW ALL SAFETY WARNINGS AND INSTRUCTIONS. KEEP THIS ILLUSTRATION WITH THE TOOL FOR FUTURE REFERENCE. IF YOU HAVE ANY QUESTIONS, CONTACT YOUR BOSTITCH REPRESENTATIVE DISTRIBUTOR.

⚠ ADVERTENCIA:

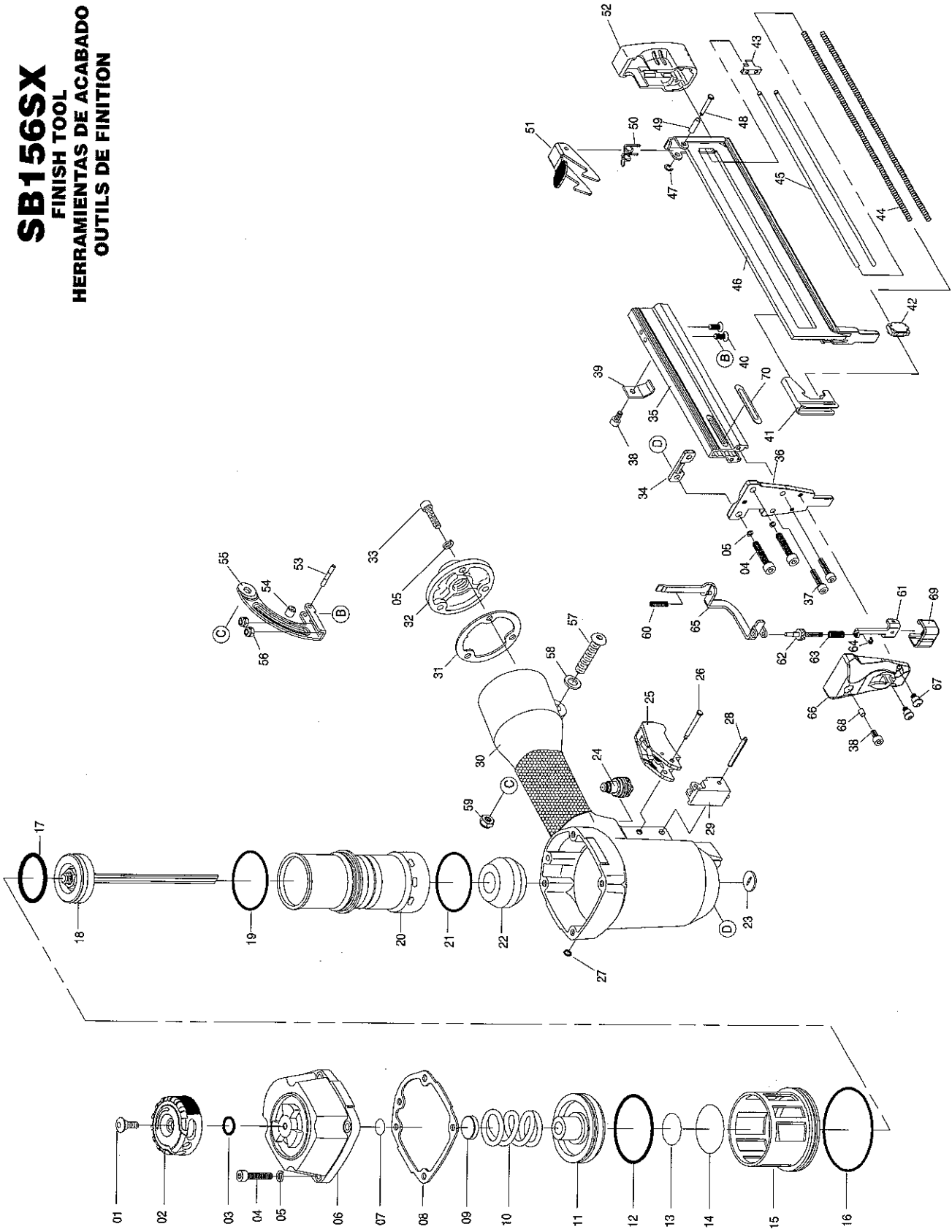
ANTES DE LLEVAR A CABO CUALQUIER REPARACIÓN EN LA HERRAMIENTA, TODOS LOS OPERARIOS DEBERÁN ESTUDIAR ESTA ILLUSTRACIÓN, ASÍ COMO LA LISTA DE PIEZAS Y EL MANUAL DE OPERACIÓN Y MANTENIMIENTO. LOS OPERARIOS DEBERÁN ENTENDER Y SEGUIR TODAS LAS ADVERTENCIAS E INSTRUCCIONES DE SEGURIDAD. CONSERVE ESTA ILLUSTRACIÓN CON LA HERRAMIENTA PARA PODER CONSULTARLA EN LO FUTURO. SI TUVIERA ALGUNA PREGUNTA, PONGASE EN CONTACTO CON SU REPRESENTANTE O DISTRIBUIDOR DE BOSTITCH.

AVANT DE PROCÉDER À LA RÉPARATION DE CET OUTIL, LES OPÉRATEURS DOIVENT ÉTUDIER LA PRÉSENTE ILLUSTRATION AINSI QUE LA LISTE DE PIÈCES ET LE MANUEL D'INSTRUCTIONS ET D'ENTRETIEN ; ILS DOIVENT ÉGALEMENT COMPRENDRE ET OBSERVER LES CONSIGNES DE SÉCURITÉ ET LES INSTRUCTIONS. CONSERVER CETTE ILLUSTRATION AVEC L'OUTIL POUR RÉFÉRENCE FUTURE. SI VOUS AVEZ DES QUESTIONS, COMMUNIQUEZ AVEC VOTRE REPRESENTANT OU VOTRE DISTRIBUTEUR DE BOSTITCH.

BOSTITCH
Stanley Fastening Systems

IP1199-1REVA 06/04

SB156SX
FINISH TOOL
HERRAMIENTAS DE ACABADO
OUTILS DE FINITION



IP1199-1REVA 06/04
 TO BE USED WITH PARTS LIST IP1199-2 AND OPERATION AND MAINTENANCE MANUAL 165365.

BOSTITCH

SB156SX		Parts List: IP1199-2REVA			
		To be Used with tool parts illustration: and operation and maintenance manual:			IP1199-1REVA
					165365
		Serial Number on the Tool:			000 and Higher
ITEM	PART #	DESCRIPTION	ITEM	PART #	DESCRIPTION
01	P1375200762	Shoulder Screw	42	P0800005332	Slide
02	P1370001500	Exhaust Cover	43	P0805205462	Fixed Parts
03	S06P000900	O-Ring	44	P0805204162	Spring
04	S0110525100	Hex.Soc.Hd.Bolt	45	P0805204262	Spring Guide
05	S0410500	Spring Washer	46	P1736300965	Magazine Unit
06	P1630000340	Deflector	47	S09102500	E-Ring
07	S06P001800	O-Ring	48	P0805204362	Click Lever Pin
08	P1630000200	Packing	49	P0802005100	Bushing
09	P1642000300	Seal	50	P0805204462	Spring
10	P1645203262	Spring	51	P1736300865	Click Lever
11	P1632000500	Hd.Valve Piston	52	P0800004766	End Cover
12	S06Z000600	O-Ring	53	P0805204862	Pin
13	S06P202500	O-Ring	54	P0802005200	Fixed Plug
14	S06P203800	O-Ring	55	P1746301365	Tail Hanger
15	P1630000605	Collar	56	S0710400	Nylon Lock Nut
16	S06A014100	O-Ring	57	S1210620100	Button Hd. Soc. Screw
17	S06P003200	O-Ring	58	S05106101000	Flat Washer
18	G0209500	Driver Unit	59	S0710600	Nylon Lock Nut
19	S06A013000	O-Ring	60	P1645205262	Spring
20	P1632000700	Cylinder	61	P1805200562	Safety A
21	S06P004200	O-Ring	62	P0595207562	Setting Knob
22	P1630000800	Bumper	63	P0595207162	Spring
23	P1745201262	Joint Guide	64	S09102000	E-Ring
24	G1200700	Trigger Valve Unit	65	G3801762	Safety B Unit
25	G1300900	Trigger Unit	66	P1780002466	Safety Cover
26	P0595201662	Stepped Pin	67	P0635200762	Shoulder Screw
27	S06A010300	O-Ring	68	P1785202162	Bush
28	S2903022000	Spiral Pin	69	P1800000866	Safety Sleeve
29	P1640004000	Safety Guide	70	P0780000800	Label,Fastener Specification
30	G4202400	Frame			
31	P1370000100	Packing			
32	P1370000240	End Cap			
33	S0110520100	Hex.Soc.Hd.Bolt			
34	P1735200262	Spacer			
35	P1730000763	Magazine B			
36	P1736300165	Driver Guide Cover			
37	S0110418100	Hex. Soc. Hd. Bolt			
38	S0110408100	Hex. Soc. Hd. Bolt			
39	P0805104001	Stop Plate			
40	S0310410100	Flat Hd. Soc. Screw			
41	P0805203762	Pusher			

CT